

UNI-GRIP® 360

UNIVERSAL SENSOR HOLDER



Bottom tabs
maximize stability!

All you need is one!

Adjustable bite-tab allows
you to take a full mouth series
with only one holder.

The *Improved* Uni-Grip 360 Universal Disposable Sensor Holder

Save time during your digital radiograph procedures with Uni-Grip 360 Universal Disposable Sensor Holder. Improved to make radiographs easy and accurate:

- **Make your FMX go faster** — one disposable holder for a complete full mouth series
- **More positioning range in posterior** and anterior indications¹ to help capture the anatomy you want to see
- **20% thinner base¹** means less bulk for smaller mouths
- Perforated adhesive tabs for **fast, easy removal**
- **Save time** vs. using different holders for each indication



Use with the autoclavable 3-in-1 Uni-GripAR®
Arm and Ring positioner for easy alignment.

550052 Uni-Grip® 360 Kit
50 Uni-Grip 360 Universal Sensor Holders, 50 Sensor Covers

550252 Uni-Grip® 360 Combo Pack Kit
100 Uni-Grip 360 Universal Sensor Holders,
100 Sensor Covers, 1 Uni-GripAR Positioning Arm and Ring

550100 Uni-GripAR® Autoclavable 3-in-1 Positioning Arm and Ring

¹As compared to the original Uni-Grip; data on file.

For better dentistry

DENTSPLY
RINN

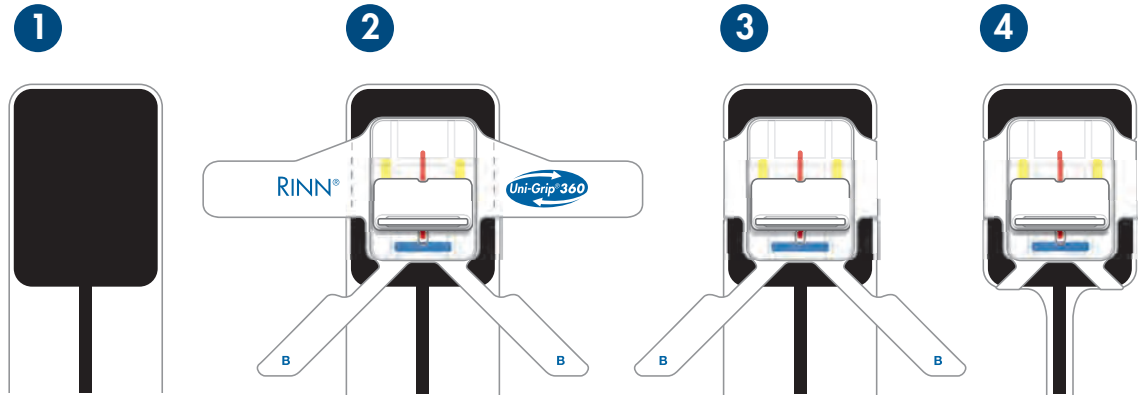
www.RinnCorp.com
800-323-0970

UNI-GRIP® 360

UNIVERSAL SENSOR HOLDER

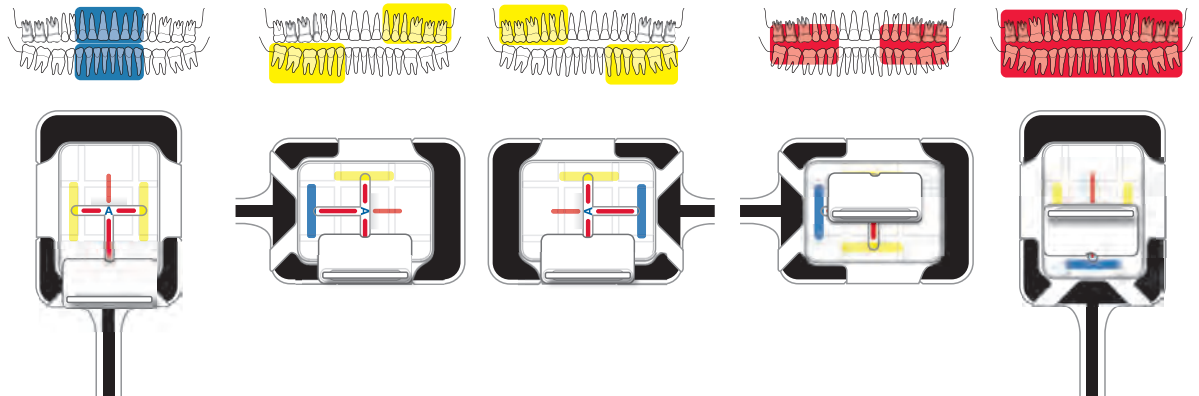
The ideal solution for fast, easy and accurate intraoral radiographs.

Uni-Grip 360 is easily applied. The four adhesive tabs keep it stable without need for a tight sensor cover.



Place a protective cover over your sensor. Apply Uni-Grip 360 by removing adhesive liner and placing over the center of your sensor's active area. Wrap side and bottom tabs tightly around covered sensor. Each Uni-Grip 360 package comes with universal sensor covers for your convenience.

The new Uni-Grip 360 bite-tab can be rotated anywhere on the sensor base to achieve the desired indication. The bite-tab can extend past the edge of the Uni-Grip 360 base to the position that is ideal for your sensor's active area.



Perforated side labels make removal easy.



Use Uni-Grip 360 with the autoclavable Uni-GripAR® Arm and Ring for accurate positioning.



Need assistance? Ask RINN at 800-323-0970.

DENTSPLY
RINN

A Division of
DENTSPLY International Inc.
1212 Abbott Drive
Elgin, IL 60123 USA

RINN Customer Service:
800-323-0970 USA
847-742-1140 International
www.RinnCorp.com
www.UniGrip.com



Uni-Grip® and Uni-GripAR® are registered trademarks of DENTSPLY International Inc. ©2011 DENTSPLY Rinn. All rights reserved.